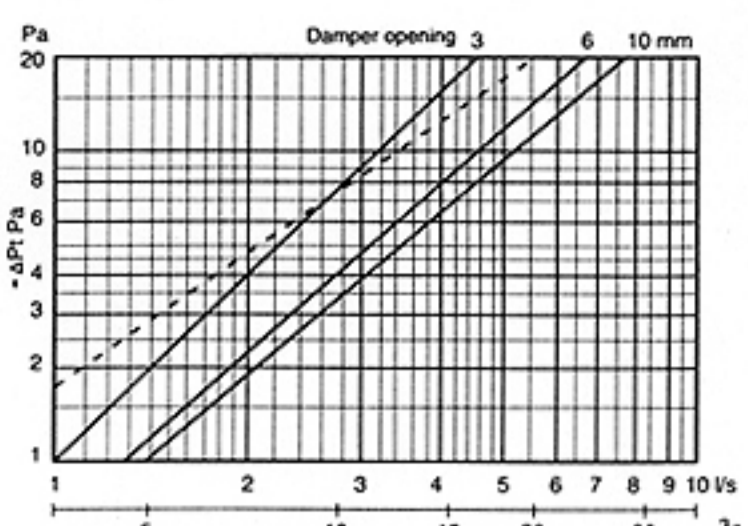


# Fresh 80/100

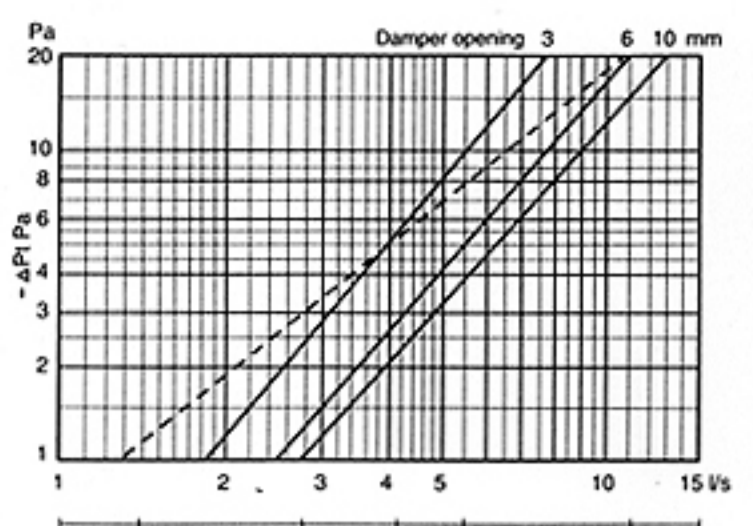
## CAPACITY

### Fresh 80



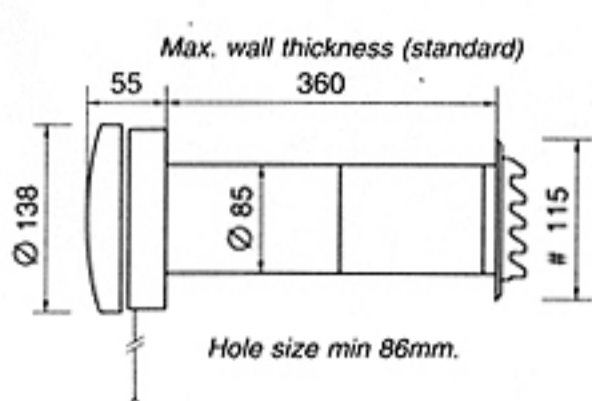
## CAPACITY

### Fresh 100



## MEASUREMENTS

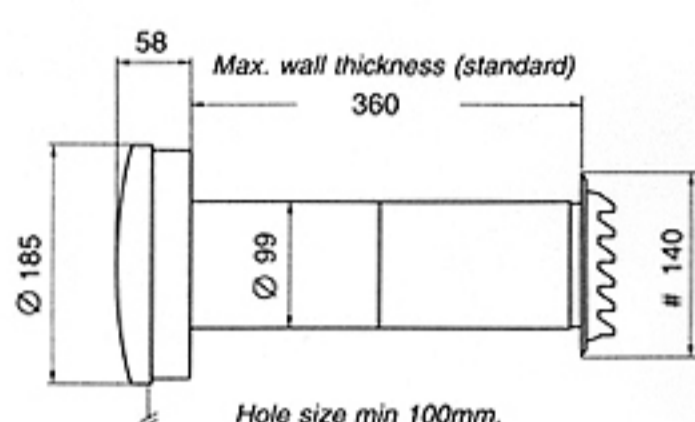
### Fresh 80



Measurements apply to standard units. Special requirements also catered for.

## MEASUREMENTS

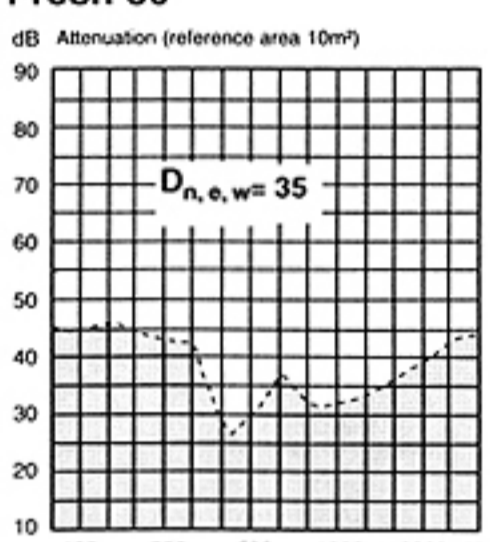
### Fresh 100



Measurements apply to standard units. Special requirements also catered for.

## ACOUSTIC DAMPING

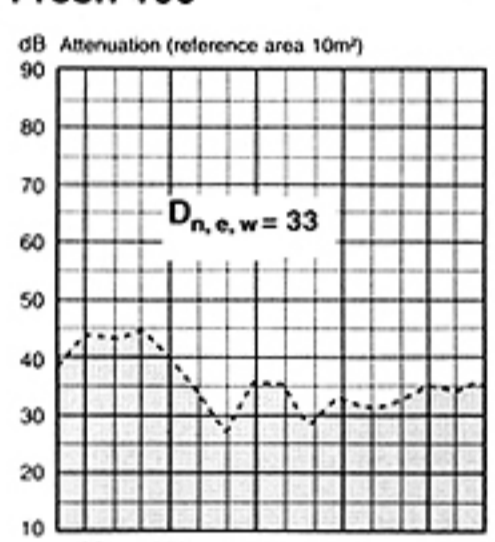
### Fresh 80



For better acoustic damping see Fresh 80-dB

## ACOUSTIC DAMPING

### Fresh 100

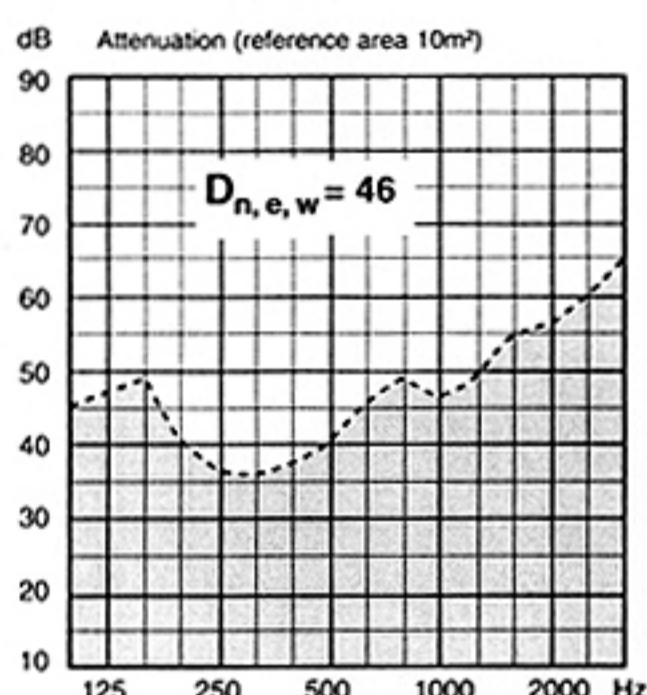


For better acoustic damping see Fresh 100-dB

# Fresh 80-dB/100-dB

## ACOUSTIC DAMPING

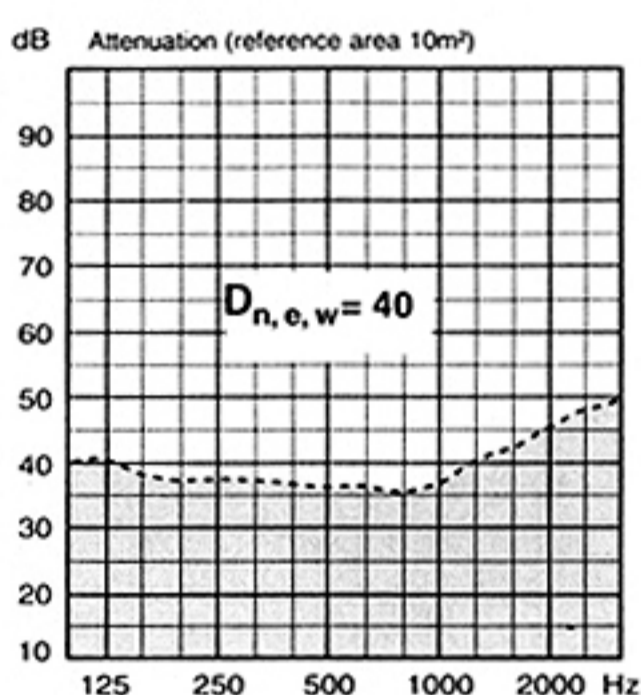
### Fresh 80-dB



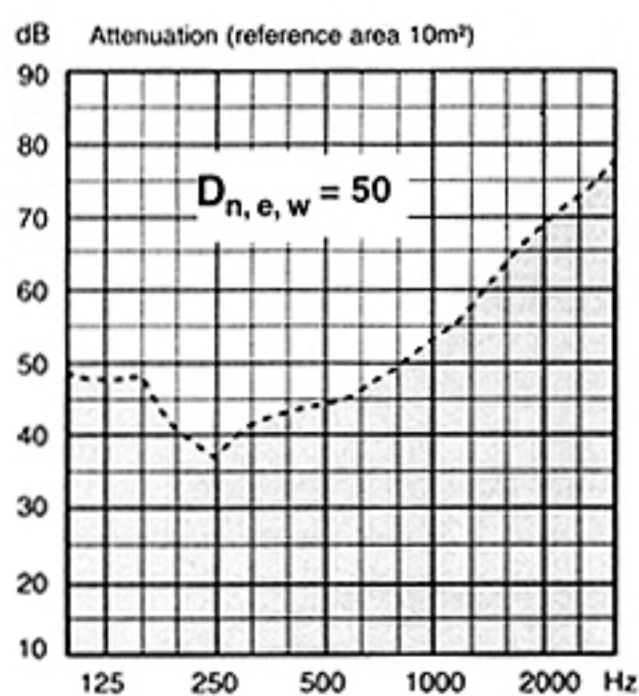
Acoustic damping with open damper 200mm wall.

## ACOUSTIC DAMPING

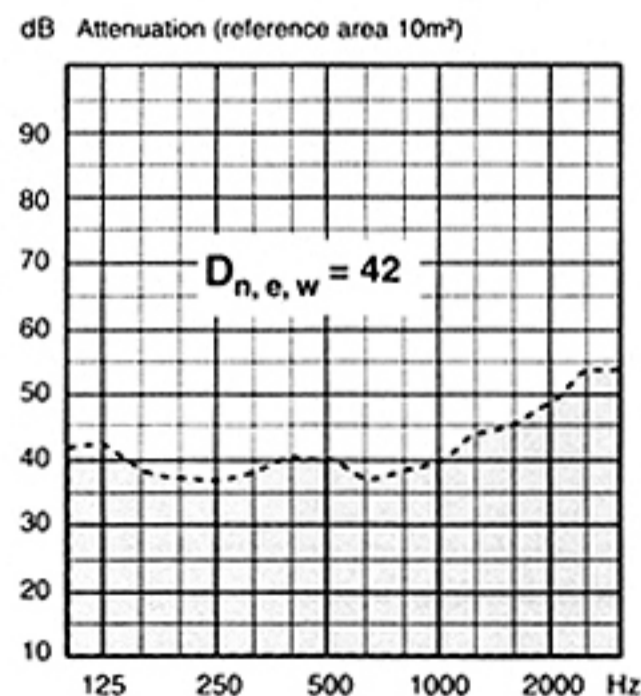
### Fresh 100-dB



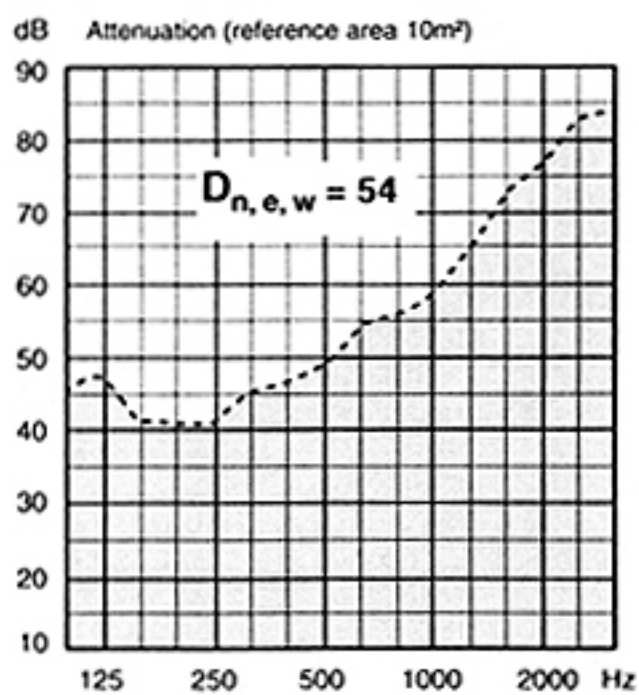
Acoustic damping with open damper 200mm wall.



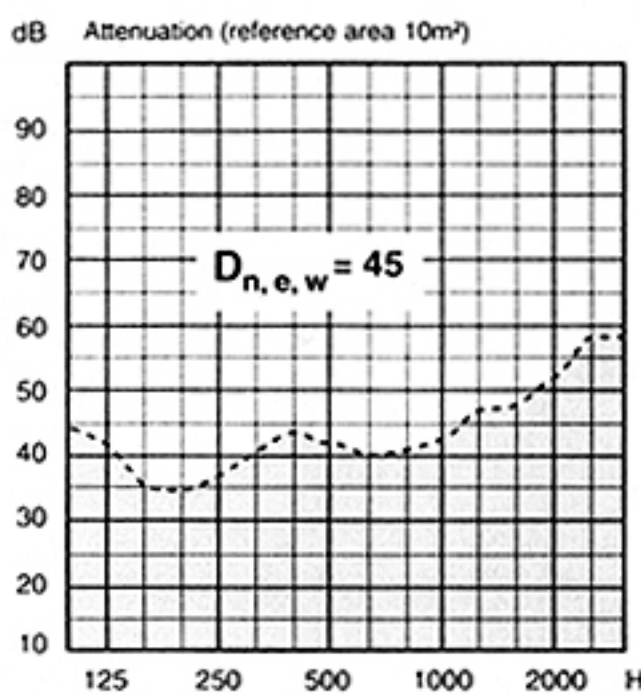
Acoustic damping with open damper 300mm wall.



Acoustic damping with open damper 300mm wall.



Acoustic damping with open damper 400mm wall.



Acoustic damping with open damper 400mm wall.